

DATASHEET



OM-WOAP-10L

11ac Outdoor Access Point



OMX Seal OM-WOAP-10L Outdoor AP delivers high performance Wi-Fi access with up to 1.2Gbps to meet high capacity demands. Engineering with rugged enclosure (IP67 rated) and top-spec components, optimizing for long-range outdoor coverage and robust wireless connectivity. OM-WOAP-10L offers a cost-effective, high capacity, and reliable outdoor wireless solution.

OM-WOAP-10L is designed with the flexibility to function as standalone AP, or centrally managed by OMX controller

to reduce deployment and management effort. Ideal for high density public venues such as airports, conventions centres, plazas and malls, smart cities, and other outdoor scenarios.



HIGHLIGHTS

- Dual band 2x2:2 802.11ac outdoor access point
- Internal directional dual-polarized antennas
- 500 Meters LOS wireless cover range, up to 400+ users
- 1 x Gigabit Ethernet port, 1 x SFP port
- 802.3at PoE supported
- IP67 rated, weather and dust sealed
- Flexible wall or pole mounting options
- Work as a standalone AP, or centrally managed by controller

FEATURES

Superior Wireless Performance

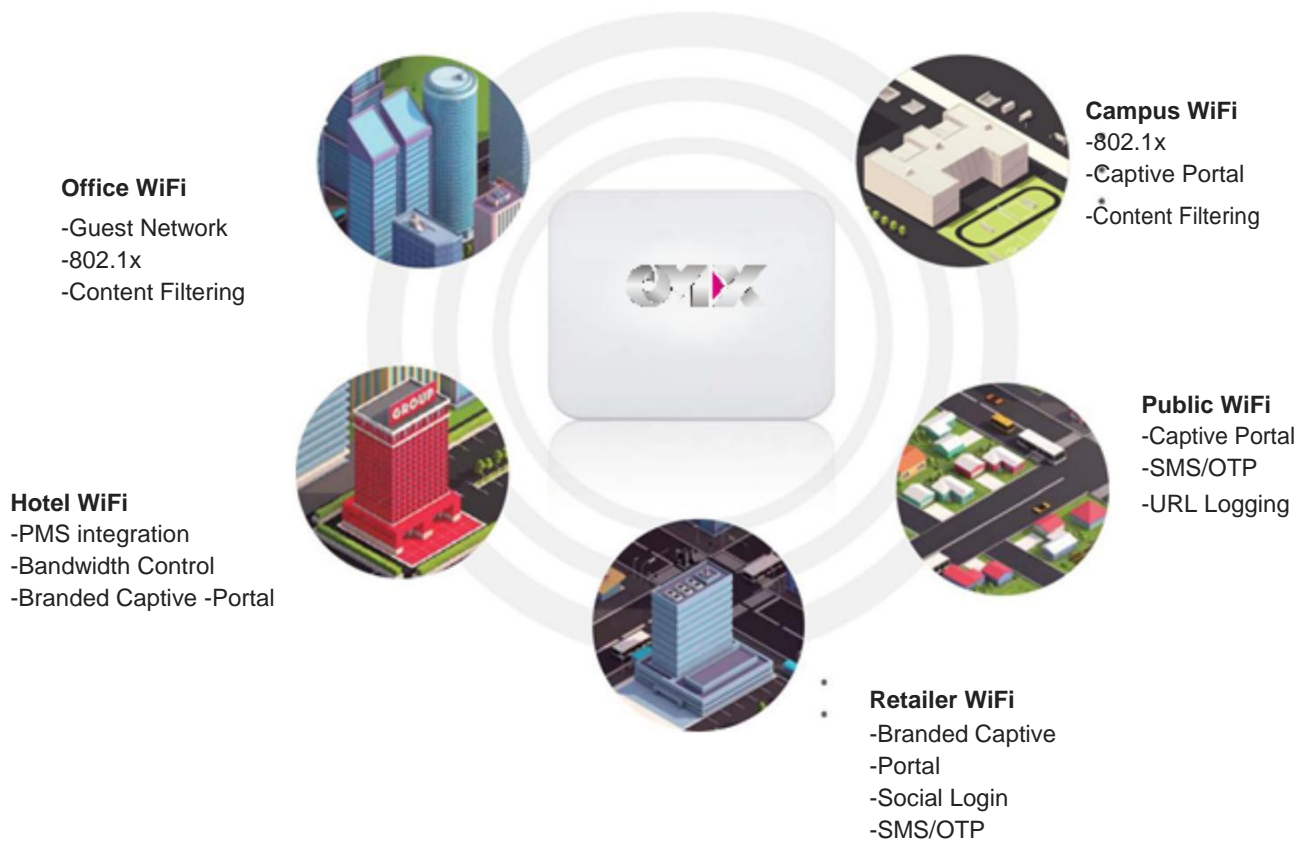
The industry-leading outdoor access point is dedicatedly optimized for long range access coverage and highest possible throughput. Besides top-spec antenna and hardware designing, OM-WOAP-10L also features powerful TurboRF technology, including airtime fairness, intelligent load-balancing, auto-RF adjustment, band steering and sticky client elimination etc.

OM-WOAP-10L helps to create a more reliable and high-performance WLAN infrastructure, keep up with bandwidth demands from the growing number of wireless devices and applications.

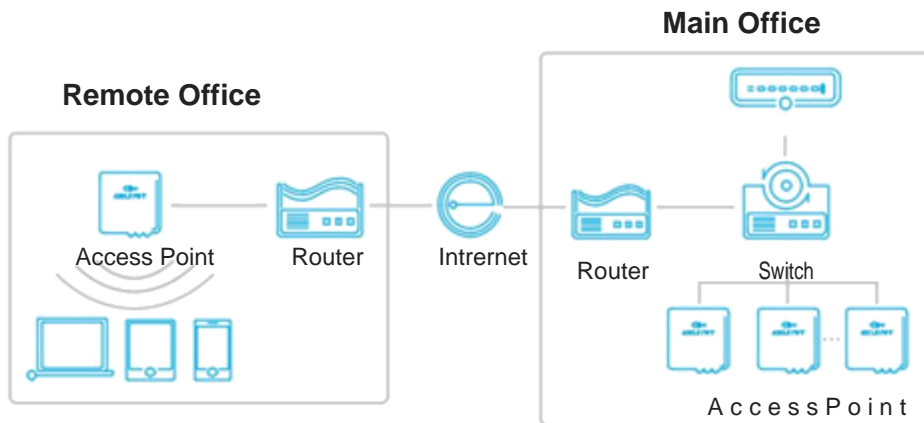
Max User	400+
Max LOS Range (Smartphone)	400M
Max LOS Range(Laptop).....	500M
Max LOS Range(CPE).....	4KM

Enterprise Grade Security

OM-WOAP-10L delivers industry-leading, end-to-end simplified security. It supports all the main-stream and standards-based security method, such as WEP, WPA-PSK, WPA-E, 802.1X, Social Media Login, Web Portal, SMS authentication etc.



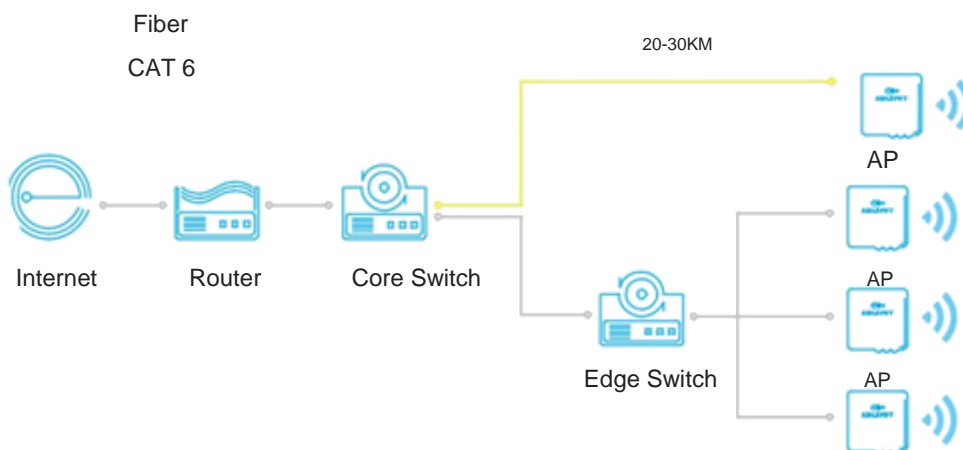
Centralized Management



Flexible Gigabit Uplink

OM-WOAP-10L offers 1 x Gigabit Ethernet and 1 x Gigabit SFP port that are adapted to wired networking structure under different scenarios. SFP Port allows you to deploy fiber and stretch the distance of network beyond the standard 100m that copper cabling limits, also minimizes the chance of failure in cabling.

Meanwhile, each port can set different VLAN tag, and then isolated wireless users traffic from different VLANs.



Rugged Industrial Design

OM-WOAP-10L is designed and tested for salt spray, vibration, extreme thermal conditions, shock and dust and is IP67-rated, operated from -40° C to 65° C, making it ideal for any extreme environments.



Technical Specifications

	Hardware Specifications
Wireless Speed (Data Rate)	300 + 867 Mbps
Frequency Radio	2.4GHz: 2400MHz ~ 2835MHz 5GHz: 5150MHz ~ 5250MHz, 5470 ~ 5725MHz, 5725MHz ~ 5850MHz
2.4 GHz	2 stream, 802.11 b/g/n (max rate: 300 Mbps)
5 GHz	2 stream, 802.11 a/b/g/n/ac (max rate: 867 Mbps)
Processor	QCA9558 + QCA9882
Memory Capacity	128MB DRAM 16 MB ROM(Flash)
Physical Interface	1 x Gigabit Ethernet Ports, 802.3at PoE Input 1 x Console Port 1 x Reset Button 1 x SFP
LED Indicators	PWR, Wireless, ETH, SFP
Antenna	2T2R 10dBi Antennas for 2.4 GHz 2T2R 12dBi Antennas for 5 GHz
Antenna Beamwidth	Horizontal : 80° (-3 dB), Vertical : 30° (-3 dB)
Protection	IP67-Rated Waterproof/Dustproof Enclosure
Environmental conditions	Operating Temperature: -40°C ~ 65°C Storage Temperature: -50°C~ 75°C Operating Humidity: 5% ~ 100% non-condensing Storage Humidity: 5% ~ 100% non-condensing 6KV lightning protection, 15KV ESD Wind Loading: 150mph
Mounting	Pole Mount Wall Mount
Device Dimensions	239*195*83mm
Package Contents	OM-WOAP-10L Pole Mount Kits Mounting Screw Set Quick Installation Guide
Certifications	FCC/CE/RoHS

	Management Specifications
Deployment Options	Standalone Mode Centralized Managed Mode
Operate Mode	AP/STA/Repeater
Multiple BSSID	16 SSIDs per radio, 32 SSIDs per AP
Configuration	Web Interface (HTTP) CLI (Telnet)
VLAN	802.1q SSID-to-VLAN Mapping

	Software Features (Standalone Mode)
Management	Dashboard(Overview) Real-time Throughput Monitoring Client List
Network and Wireless	Auto Transmit Power Auto Channel Hide SSID Rogue AP Detection Wireless Client Monitoring Channel Scanning AP Management VLAN SSID-VLAN Mapping ACL
RF Optimization	Band Steering Airtime Fairness WMM Optimization Client Limiting RSSI Threshold

Software Features (with Controller)	
Basic Management	<ul style="list-style-type: none"> AP Auto Discovery and Provisioning AP Auto IP Assignment AP Group Management Remote AP Rebooting AP Device Name Editing AP Radio Settings RSSI Threshold AP Client Limiting AP VLAN Management Rogue AP Detection Wireless Client Monitoring Background Scanning Auto Transmit Power Auto Channel Unified Configuration Import/Export Bulk Firmware Upgrade Capability One-Click Update Kick/Ban Clients Wi-Fi Scheduler
Client Management and Engagement	<ul style="list-style-type: none"> Guest Access Active Directory Integration Captive Portal, SMS, Permanent Authentication Wechat Wi-Fi, Facebook Login MAC Address Authentication Radius proxy BandWidth Control Built-in & Remote Portal Server Portal (Based on Group/Port) Customizable Portal Page Billing (Time-based & Volume-based) Local Accounts Database

Monitoring and Reporting	Dashboard(Overview) Floor Plan View Map View Real-time Throughput Monitoring Client List Applications Usage Security Status Alarm(GUI)
Security	Open/WPA&WPA2-PSK, WPA&WPA2-E 802.1x Rogue AP Detection Rogue AP containment AD-HOC Detection Deep packet inspection Black/White List Dynamic blacklist (Time based) User Kick-Out: WiFi User Kick-Out: AAA Layer 2 isolation xDoS attacks Prevention ARP attacks Prevention
RF Optimization	Band Steering Airtime Fairness WMM Optimization Traffic Shaping DataRate limiting RSSI Limit

RF Performance Table

	Maximum transmit power(per chain) (dBm)	Maximum transmit power Aggregated (dBm)	Receiver sensitivity (dBm)
2.4GHz(802.11b/g)			
1Mbps	27	29	-99
6Mbps	26.5	28.5	-95
11Mbps	26	28	-93
48Mbps	24.5	26.5	-79
54Mbps	24.5	26.5	-78
2.4GHz(802.11n/HT20)			
MCS0/8	27	29	-94
MCS7/15	24	26	-74
2.4GHz(802.11n/HT40)			
MCS0/8	25	27	-91
MCS7/15	23	25	-64
5 GHz(802.11a)			
6Mbps	25	27	-93
36Mbps	24	26	-82
54Mbps	23.5	25.5	-75
5 GHz(802.11n/HT20)			
MCS0/8	25	27	-93
MCS7/15	23.5	25.5	-73
5 GHz(802.11n/HT40)			
MCS0/8	24	26	-90
MCS7/15	22	24	-71
5 GHz(802.11ac/HT80)			
MCS0/8	24	26	-86
MCS7/15	21.5	23.5	-66



OMX TECHNOLOGY-FZE

1-D-OFF-124, TechnoHUB,
 Silicon Oasis, Dubai, U.A.E.
 Tel: +971 43251031
 Email: info@omxtech.net